

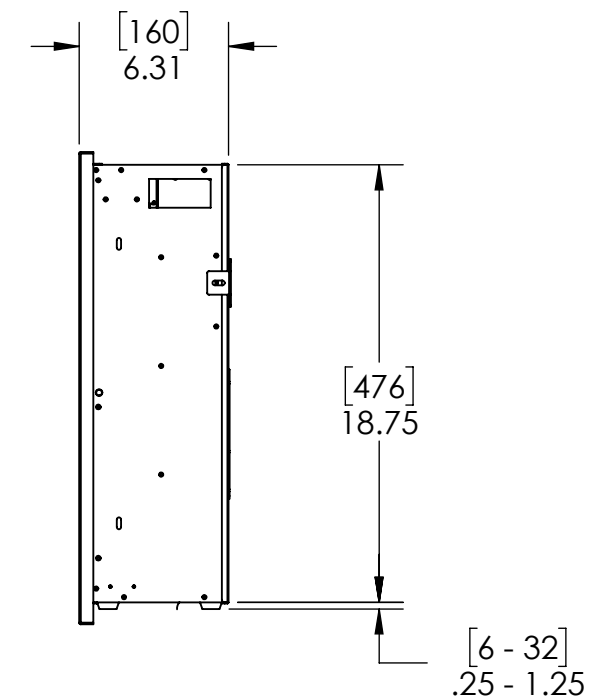
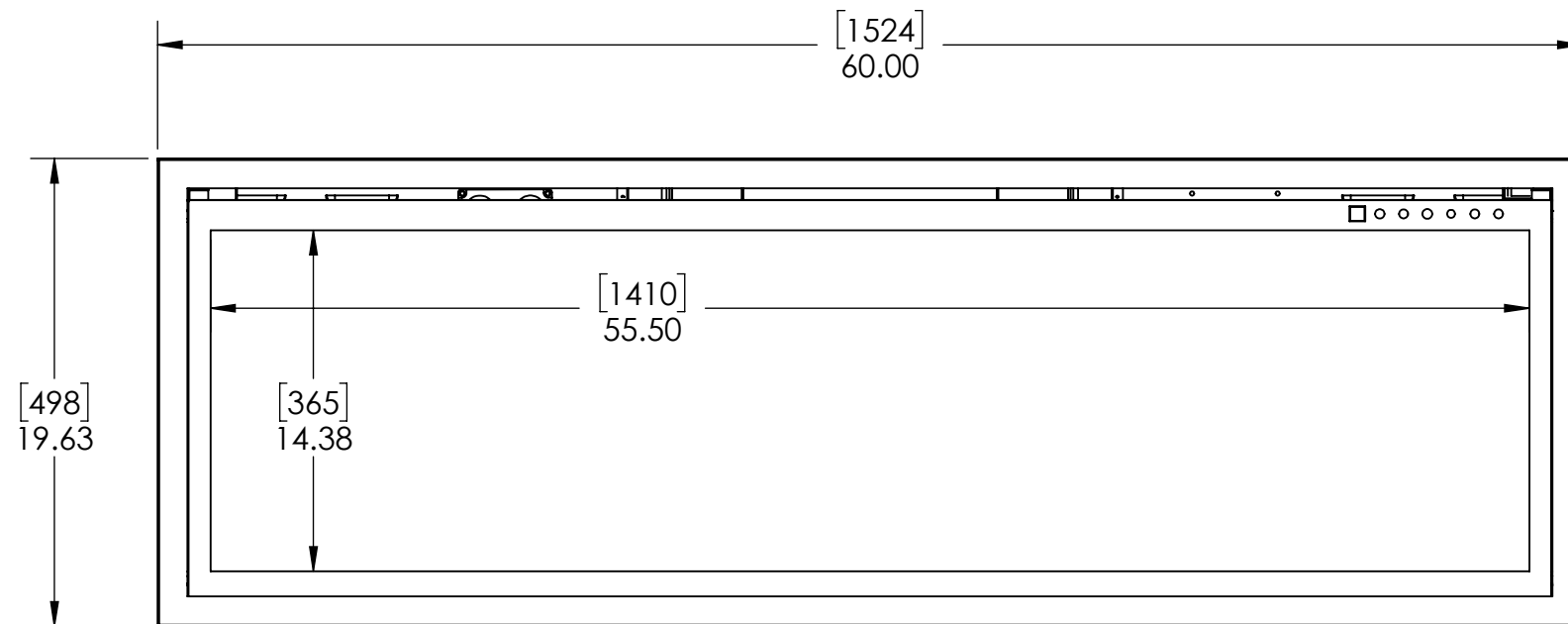
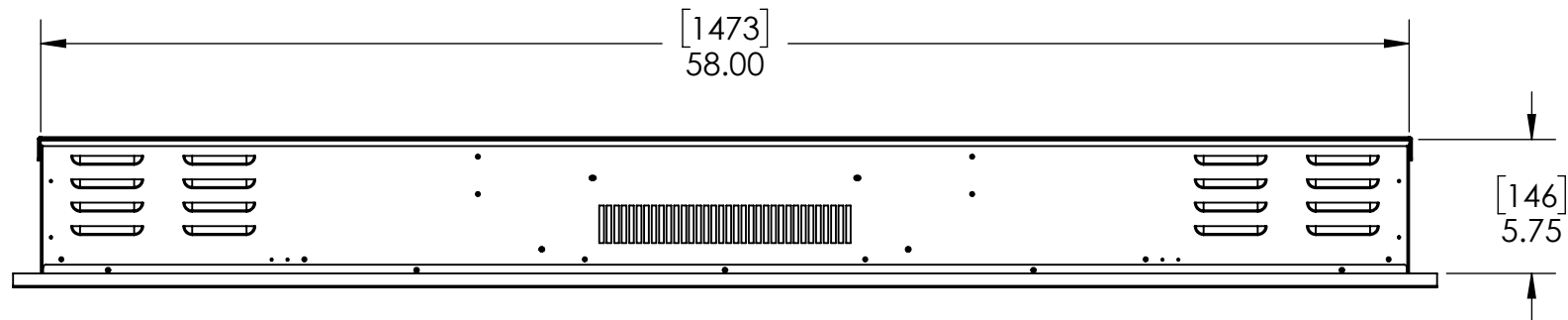
4

3

2

1

REVISIONS					
ZONE	REV.	DESCRIPTION	DRAWN	DATE	APPROVED
	A	DRAWING RELEASE			
	B	UPDATED DIMENSIONS TO INCORPORATE SCREW HEADS (NOT SHOWN), MATCHING THE MANUAL	DF	8/5/2024	



UNLESS OTHERWISE SPECIFIED:

DIMENSIONS ARE IN INCHES  
 TOLERANCES:  
 FRACTIONAL ±1/16"  
 ANGULAR: MACH ±2° BEND ±2°  
 ONE PLACE DECIMAL ±.1  
 TWO PLACE DECIMAL ±.06  
 THREE PLACE DECIMAL ±.030

INTERPRET GEOMETRIC TOLERANCING PER:

MATERIAL

FINISH

DO NOT SCALE DRAWING

NAME

DATE

DRAWN

CHECKED

ENG APPR.

MFG APPR.

Q.A.

**PROPRIETARY AND CONFIDENTIAL**  
 THIS INFORMATION CONTAINED IN THIS DRAWING IS THE SOLE PROPERTY OF RICHARDSON PRODUCTS GROUP (RPG BRANDS). ANY REPRODUCTION IN PART OR AS A WHOLE WITHOUT THE WRITTEN PERMISSION OF RICHARDSON PRODUCTS GROUP (RPG BRANDS) IS PROHIBITED.

**RPG BRANDS**

TITLE: ORION SLIM 60"

SIZE	DWG. NO.	REV
<b>B</b>	OR60-SLIM	<b>B</b>

SCALE: 1:8	WEIGHT:	SHEET 1 OF 1
------------	---------	--------------

4

3

2

1

B

B

A

A