

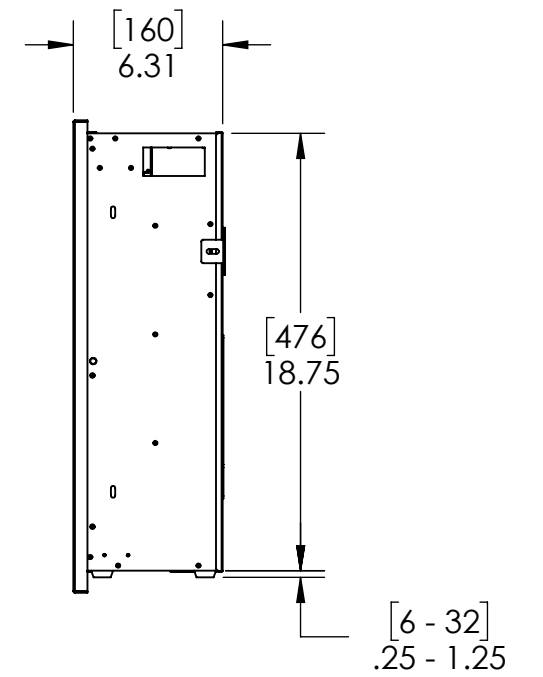
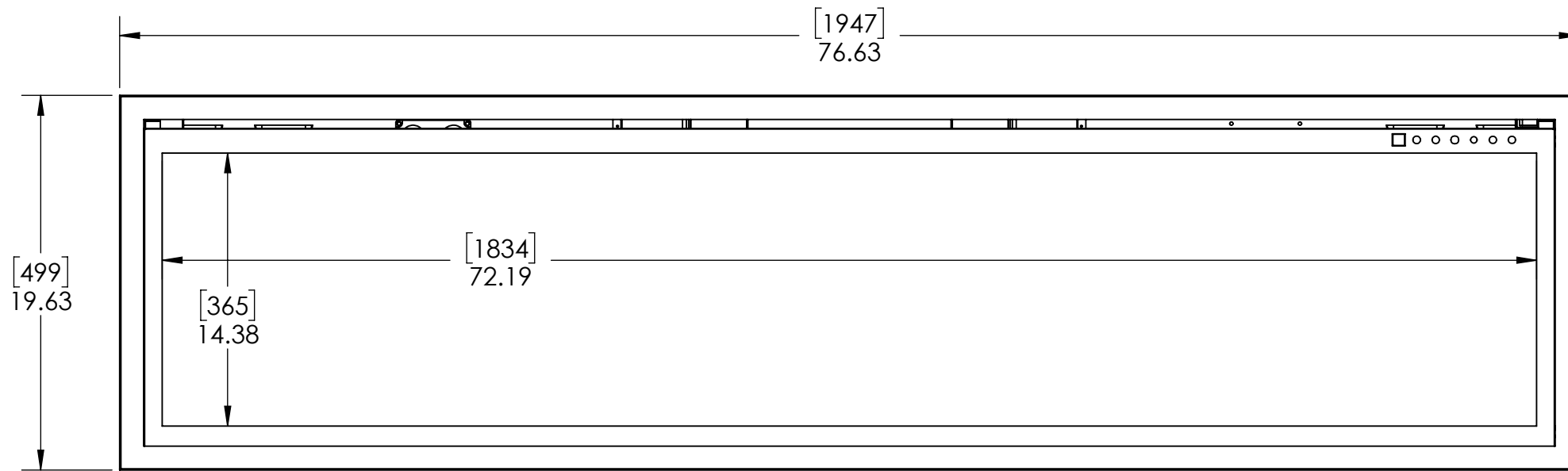
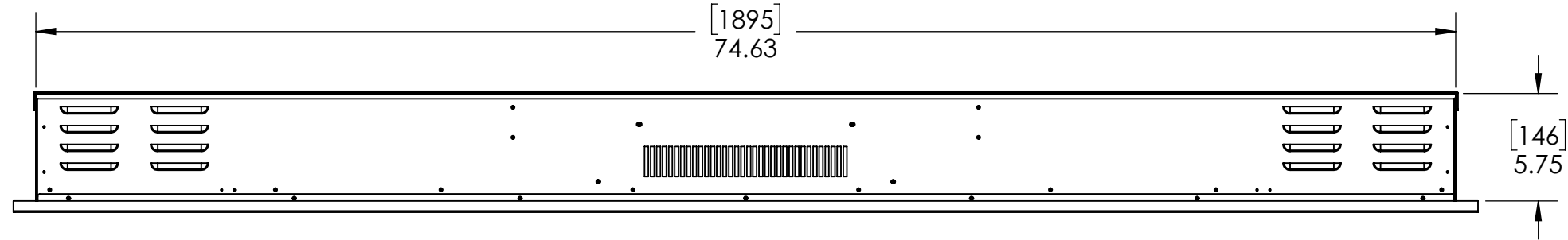
4

3

2

1

REVISIONS					
ZONE	REV.	DESCRIPTION	DRAWN	DATE	APPROVED
	A	INITIAL DRAWING RELEASE			
	B	UPDATED DIMENSIONS TO INCORPORATE SCREW HEADS (NOT SHOWN), MATCHING THE MANUAL	DF	8/5/2024	



UNLESS OTHERWISE SPECIFIED: DIMENSIONS ARE IN INCHES TOLERANCES: FRACTIONAL ±1/16" ANGULAR: MACH ±2° BEND ±2° ONE PLACE DECIMAL ±.1 TWO PLACE DECIMAL ±.06 THREE PLACE DECIMAL ±.030  INTERPRET GEOMETRIC TOLERANCING PER: MATERIAL  FINISH  DO NOT SCALE DRAWING	NAME	DATE	<h1>RPG BRANDS</h1> <p>TITLE: ORION SLIM 76"</p> <table border="1"> <tr> <td>SIZE</td> <td>DWG. NO.</td> <td>REV</td> </tr> <tr> <td><b>B</b></td> <td>OR76-SLIM</td> <td><b>B</b></td> </tr> <tr> <td>SCALE: 1:8</td> <td>WEIGHT:</td> <td>SHEET 1 OF 1</td> </tr> </table>	SIZE	DWG. NO.	REV	<b>B</b>	OR76-SLIM	<b>B</b>	SCALE: 1:8	WEIGHT:	SHEET 1 OF 1
	SIZE	DWG. NO.		REV								
	<b>B</b>	OR76-SLIM		<b>B</b>								
	SCALE: 1:8	WEIGHT:		SHEET 1 OF 1								
DRAWN												
CHECKED												
ENG APPR.												
MFG APPR.												
Q.A.												
<b>PROPRIETARY AND CONFIDENTIAL</b> THE INFORMATION CONTAINED IN THIS DRAWING IS THE SOLE PROPERTY OF RICHARDSON PRODUCTS GROUP (RPG BRANDS). ANY REPRODUCTION IN PART OR AS A WHOLE WITHOUT THE WRITTEN PERMISSION OF RICHARDSON PRODUCTS GROUP (RPG BRANDS) IS PROHIBITED.												

4

3

2

1

B

B

A

A